

CHO EFSNK BN

CHOCOLATE Tap Range Chocolate Easyfit Sink Mixer Brushed Nickel



Specification

Product Type:	Tap
Main Construction Material:	Brass
Mount Type:	Deck Mounted
Handle Type:	Square Handles
Connection Inlet:	1/2" BSP Flexible Tails
Connection Outlet:	Open
Number of Tap Holes:	1
Valve/Cartridge Type:	1/2" Ceramic Disc Valve
Plumbing System Requirements:	All
Working Pressure Range:	Min. 0.2 Bar, Max. 5.0 Bar
Maximum Hot Water Temperature: °C	65
Maximum Static Pressure: (bar)	10
Flow Type:	Single Flow
Isolation Included:	No

Features:

- Long life and easy to use 1/4 turn ceramic disc valves
- Metal fixing nut for added durability
- Easyfit base included
- Flexible tails included

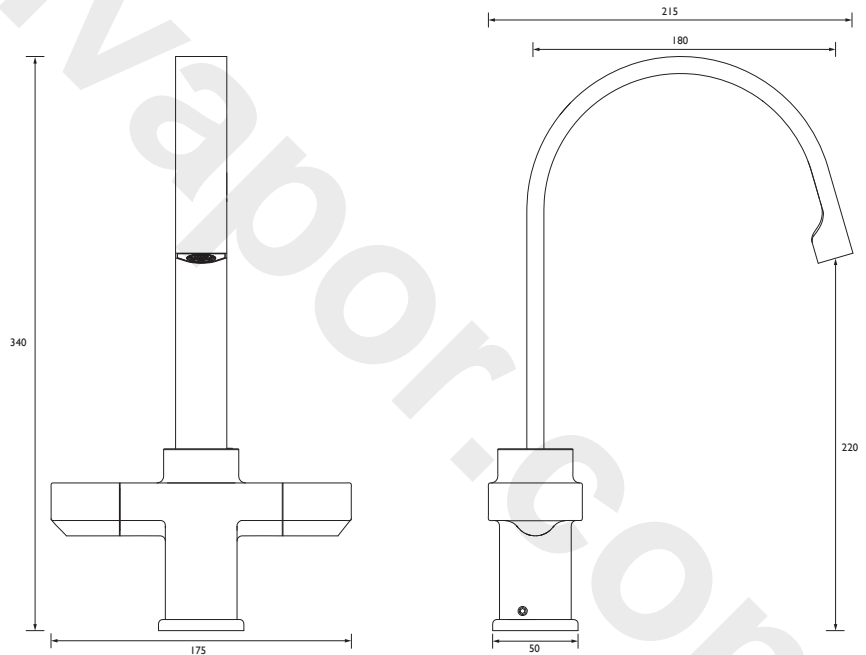
Product Certifications:



WRAS Cert. No: 1507950
WRAS Expiry Date: 31/07/2020



Dimensions (measurements in mm)



Flow Rates (l/min)

System Pressure (bar)	0.2	0.5	1	2	3	5
CHO EFSNK BN	10.6	13.7	19.3	27.4	33.5	43.3

For more products, visit our website:
<http://www.bristan.com>



TECHNICAL
DATA
SHEET



BRISTAN
TAPS & SHOWERS

D6